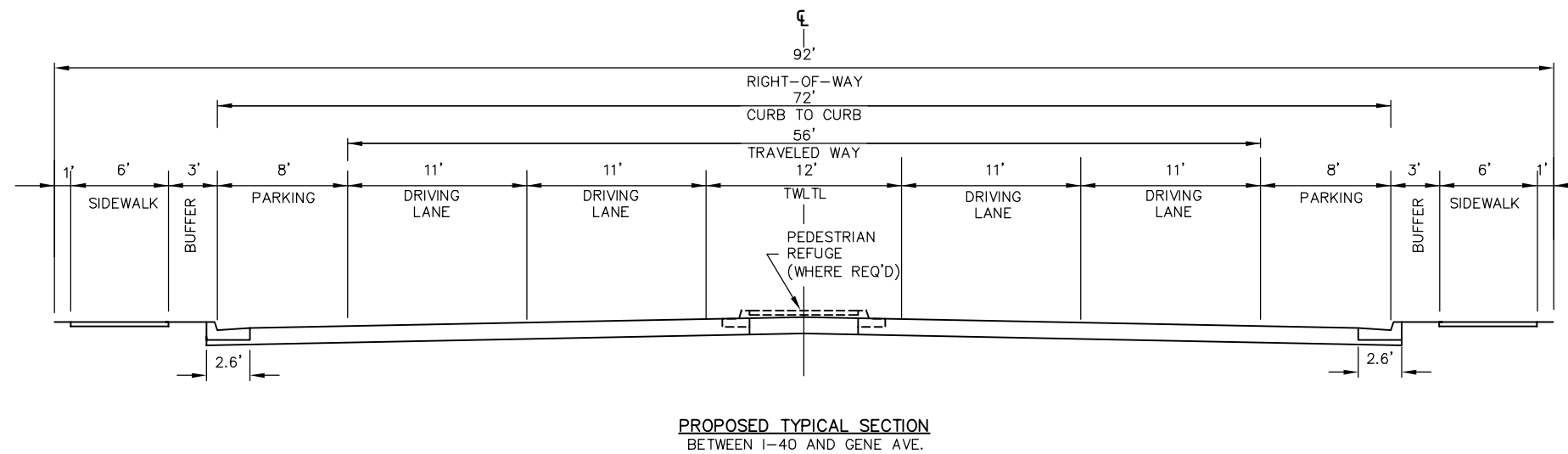
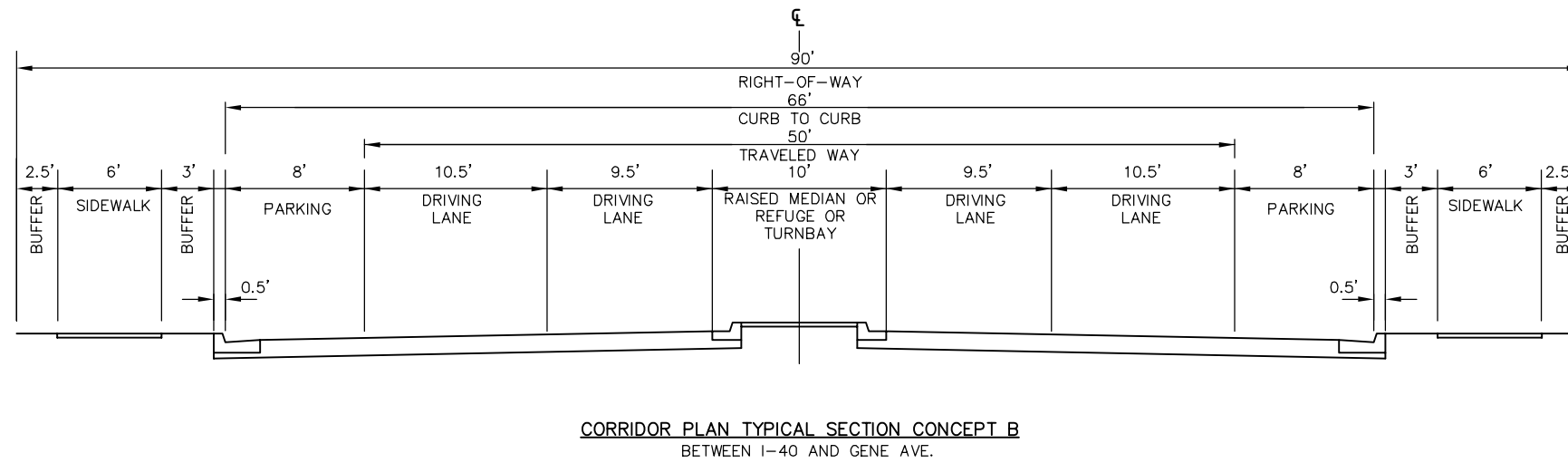
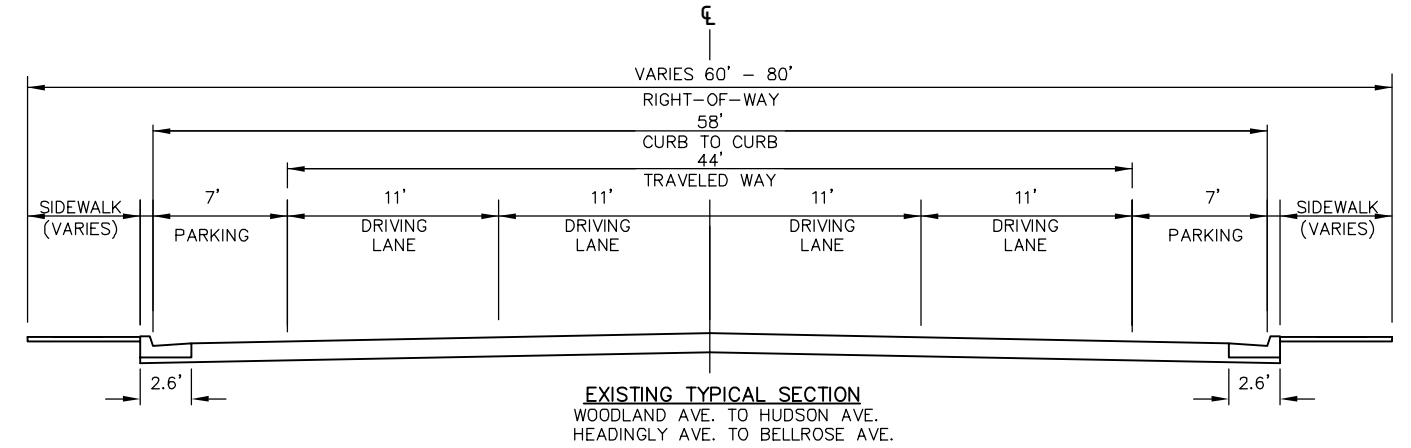
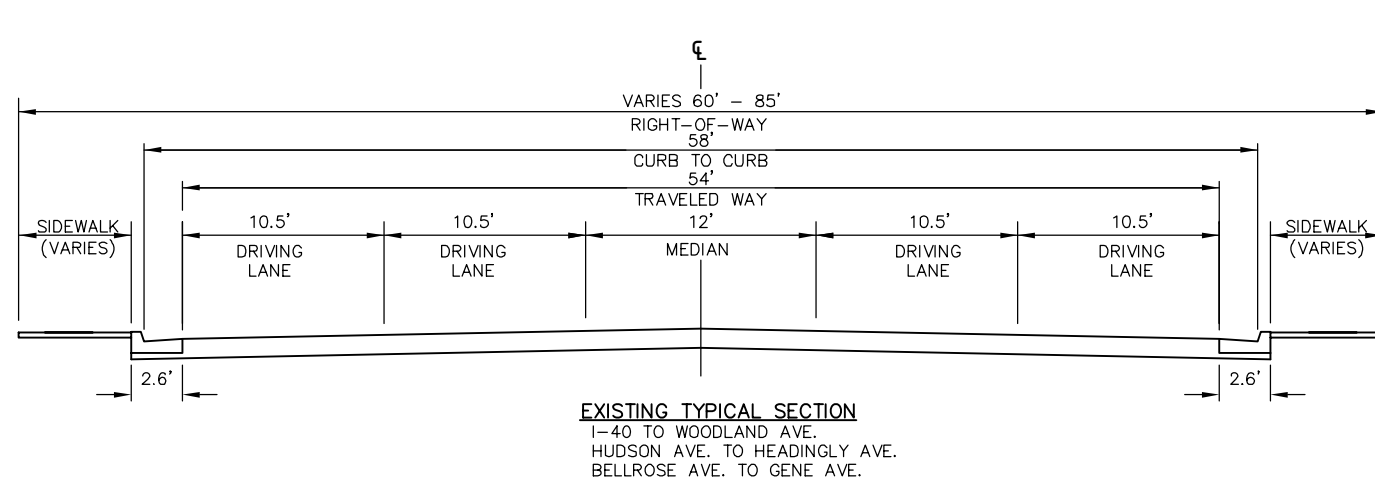


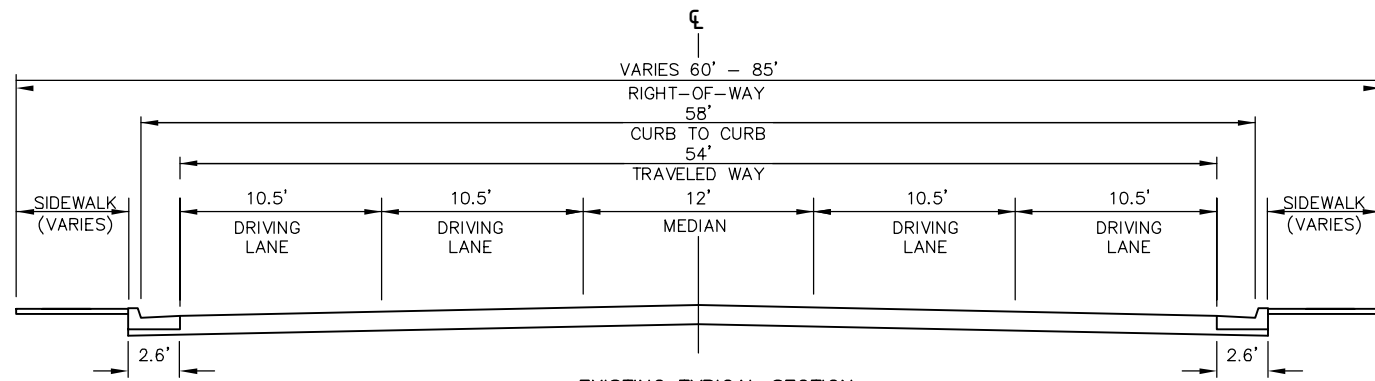
**NOTE:**  
TWLTL = TWO-WAY LEFT-TURN LANE

<b>PARSONS BRINCKERHOFF</b>		SCALE: 1" = 10' (HALFSIZE)
CITY OF ALBUQUERQUE DEPARTMENT OF MUNICIPAL DEVELOPMENT TRANSPORTATION DIVISION		
NORTH FOURTH STREET MOUNTAIN ROAD TO CAMINO ESPANOL NW <b>TYPICAL SECTIONS ZONE 1</b>		
City Project No. COA 5878.91	Zone Map No. .	Sheet <b>1 of 3</b>

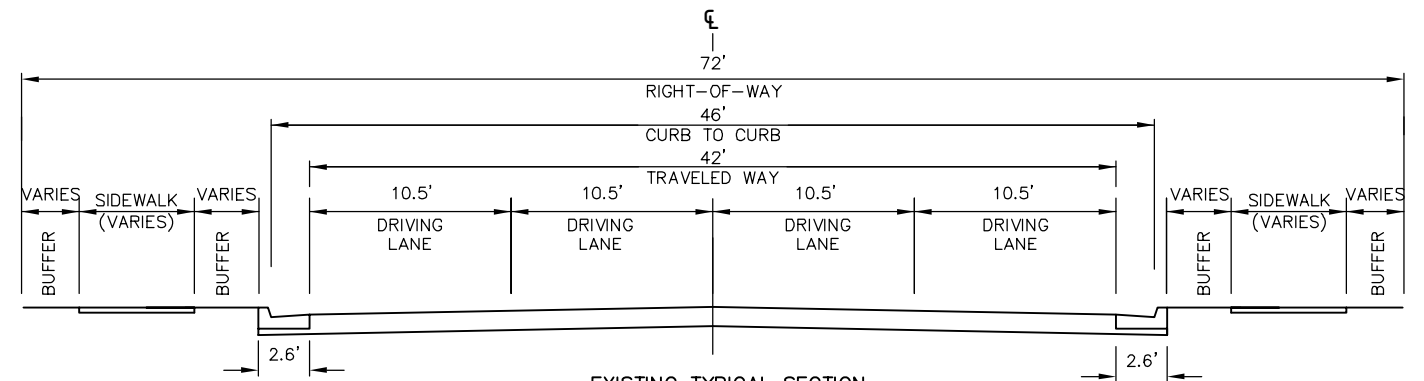


**NOTE:**  
TWLTL = TWO-WAY LEFT-TURN LANE

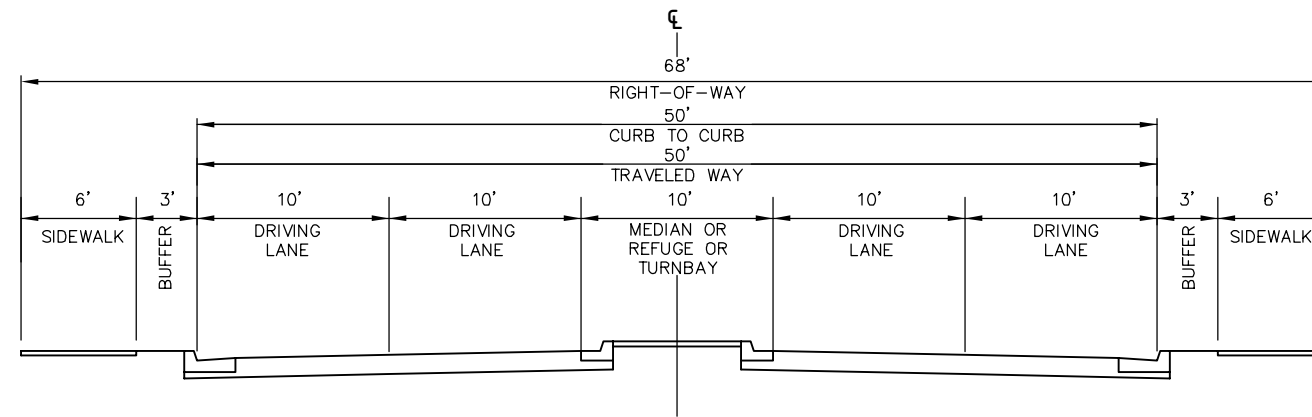
<b>PARSONS BRINCKERHOFF</b>		SCALE: 1" = 10' (HALFSIZE)
CITY OF ALBUQUERQUE DEPARTMENT OF MUNICIPAL DEVELOPMENT TRANSPORTATION DIVISION		
NORTH FOURTH STREET MOUNTAIN ROAD TO CAMINO ESPANOL NW TYPICAL SECTIONS ZONES 2 THRU 5		
City Project No. COA 5878.91	Zone Map No.	Sheet 2 of 3



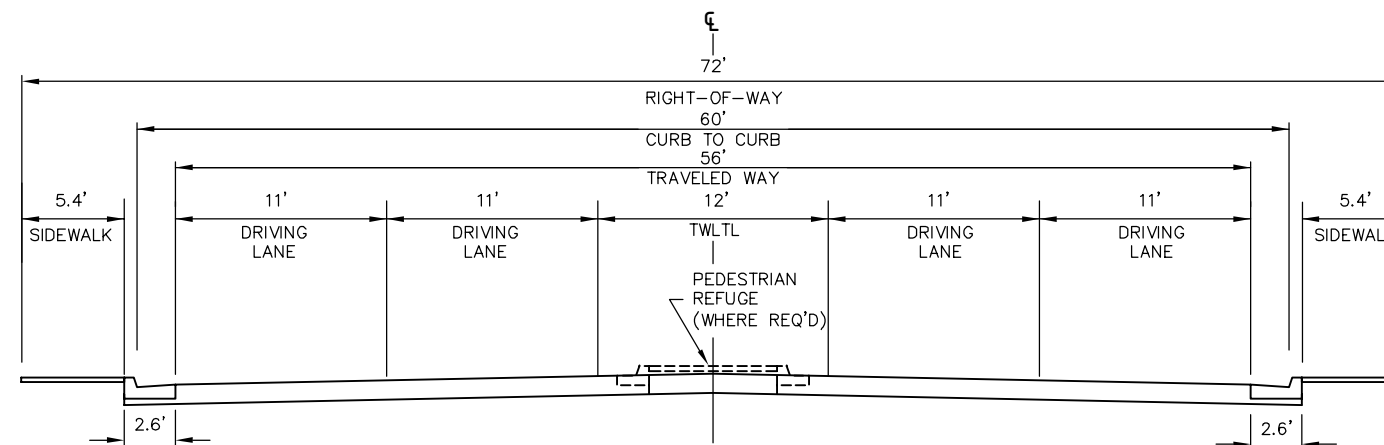
**EXISTING TYPICAL SECTION**  
GENE AVE. TO SOLAR RD.  
VINEYARD RD. TO CAMINO ESPANOL



**EXISTING TYPICAL SECTION**  
SOLAR RD. TO VINEYARD RD.



**CORRIDOR PLAN TYPICAL SECTION CONCEPT D**  
GENE AVE. TO CAMINO ESPANOL



**PROPOSED TYPICAL SECTION**  
GENE AVE. TO CAMINO ESPANOL

**NOTE:**  
TWLTL = TWO-WAY LEFT-TURN LANE

**PARSONS  
BRINCKERHOFF**

SCALE: 1" = 10' (HALFSIZE)



CITY OF ALBUQUERQUE  
DEPARTMENT OF MUNICIPAL DEVELOPMENT  
TRANSPORTATION DIVISION

NORTH FOURTH STREET  
MOUNTAIN ROAD TO CAMINO ESPANOL NW  
**TYPICAL SECTIONS ZONE 6**

City Project No. COA 5878.91	Zone Map No.	Sheet <b>3 of 3</b>
---------------------------------	--------------	------------------------